



## SSD3701-Y V1

### 37" LCD, 2800 nits LED backlight, 1920 x 540 ultra-wide aspect ratio 16:4.5

The SSF/SSH3701-Y is a 37 inch color TFT-LCD display with special aspect ratio 16:4.5 and wide resolution 1920 x 540. It is Litemax's Spanpixel series product which designed for high brightness 2800 nits with power efficiency LED backlight. It provides LCD panel with specific aspect ratios and sunlight readable for digital signage, public transportation, exhibition hall, department store, and vending machine.

#### Key Features

- Ultra-Wide Screen (16 : 4.5)
- High Brightness 2800 nits
- Sunlight Readable
- LED Backlight
- LCD blacking defect free (Hi-Tni 110 °C)
- Slim Bezel
- BL MTBF: 100,000 hours



### Specifications

| Model Name               | SSD3701-Y V1                               |
|--------------------------|--|
| Description              | 37" LCD, 2800 nits LED backlight, 1920x540 |
| Screen Size              | 37"  |
| Display Area (mm)        | 899.7(H) x 253(V)                          |
| Brightness               | 2800 cd/m <sup>2</sup>                     |
| Resolution               | 1920x540                                   |
| Aspect Ratio             | 16 : 4.5                                   |
| Contrast Ratio           | 6100 : 1                                   |
| Pixel Pitch (mm)         | 0.4685(H) x 0.4685(V)                      |
| Pixel Per Inch (PPI)     | 54   |
| Viewing Angle            | 178°(H), 178°(V)                           |
| Color Saturation (NTSC)  | 82%  |
| Display Colors           | 16.7M                                      |
| Response Time (Typical)  | 16ms                                       |
| Panel Interface          | LVDS                                       |
| AD Board Input Interface | VGA, DVI-D, DP                             |
| Input Power              | AC100~240V                                 |
| Power Consumption        | 94W  |
| Dimensions (mm)          | 949x 287.5 x 64.7                          |
| Bezel Size(U/B/L/R)      | 15.2/15.2/22.6/22.6 mm                     |
| Weight (Net)             | 10 kg                                      |
| Mounting                 | 400 x 100                                  |
| Operating Temperature    | 0 °C ~ 50 °C                               |
| Storage Temperature      | -20 °C ~ 65 °C                             |

SSD= Panel+ LED Driving Board + Control Board +Housing

*Specifications are subject to change without notice.*

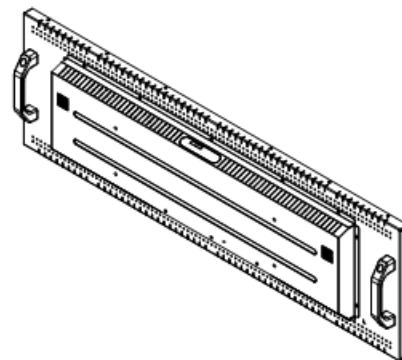
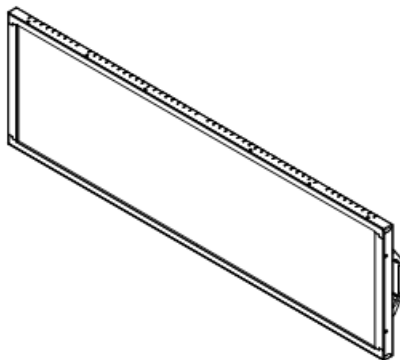
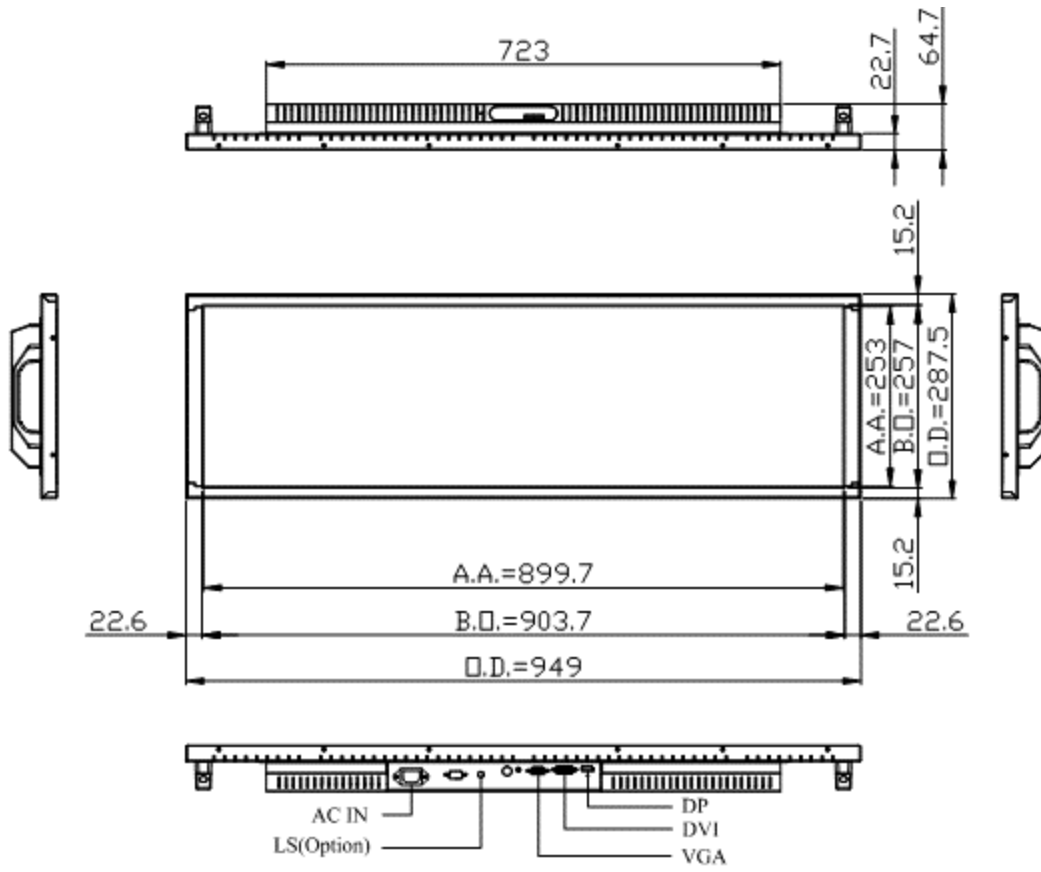
*All brands or product names are trademarks or registered trademarks of their respective companies.*

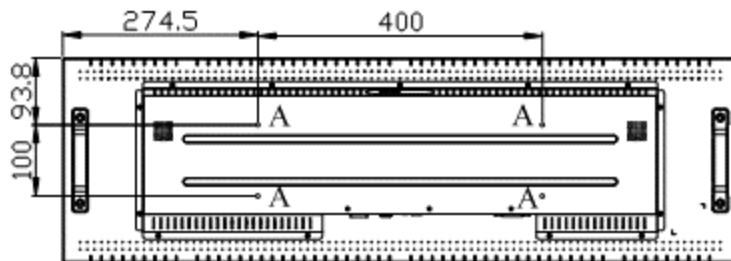


## Mechanical Drawing

### Outline Dimensions

Unit:mm





Note :

O.D : Outline Dimension(mm)

B.O : Bezel Opening

A.A : LCD Active Area

A:4-M6\_USER HOLE\_MAX DEPTH=6mm



### Ordering Information

| Part Number     | Description   |
|-----------------|---|
| SSd3701-YNB-I01 | 37",2800nits,1920*540,LID37A,AD6038GDP,O/B,AC100~240V,3in1,V1 |

### Optional Accessories

| Part Number  | Description                          |
|--------------|--------------------------------------|
| 810618301010 | CABLE.POWER.AC.1830mm USA type       |
| 810618301090 | CABLE,POWER,AC,1830mm Europe type    |
| 810618301050 | CABLE.POWER.AC.1830mm UK type        |
| 810618301170 | CABLE.POWER,AC,1830mm Australia type |
| 810618301031 | CABLE.POWER.AC.1830mm Japan type     |
|              |                                      |

### Customer request

|       |                                       |
|-------|---------------------------------------|
| Touch | SCT (Single-Touch), PCT (Multi-Touch) |
| Glass | Tempered glass, AR coating.....       |
|       |                                       |